



Naval® Model Flushometer

143 143-1.6

- ▶ **Description**
Concealed Water Closet Flushometer for wall hung back spud bowls. Especially suited for harsh water conditions.
- ▶ **Flush Cycle**
 - Model 143 (factory set at 3.5 gpf/13.2 Lpf)
 - Model 143-1.6 (factory set at 1.6 gpf/6.0 Lpf)
- Valve Adjustment Range: 1.5 gpf/5.7 Lpf to 7.0 gpf/26.5 Lpf
- ▶ **Specifications**
Quiet, Concealed, Adjustable Piston Type, Rough Brass Closet Flushometer for either left or right hand supply with the following features:
 - ADA Compliant Metal Oscillating Non-Hold-Open Handle
 - Self-cleaning Xpelor® Bypass
 - 1" I.P.S. Wheel Handle Bak-Chek™ Angle Stop
 - Adjustable Tailpiece
 - Vacuum Breaker Flush Connection
 - Double Slip Elbow and Spud Coupling for 1½" Back Spud
 - Exposed parts Chrome Plated
 - Ultra High Copper, Low Zinc Brass Castings for Dezincification and Salt Water Resistance
 - Handle Packing, Stop Seat and Vacuum Breaker to be Molded from PERMEX™ Rubber Compound for Chloramine Resistance

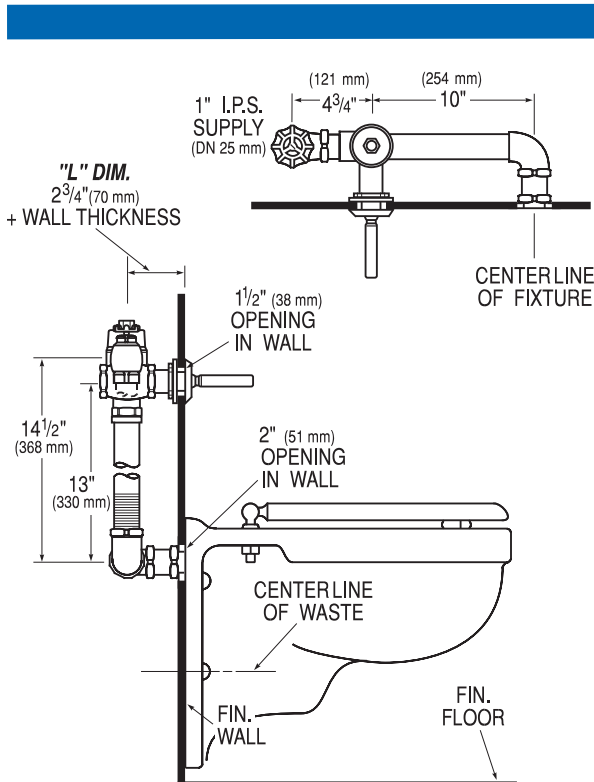
Valve Body, Cover, Tailpiece and Control Stop shall be in conformance with ASTM Alloy Classification for Red Brass. Valve shall be in compliance to the applicable sections of ASSE 1037, ANSI/ASME 112.19.6, and Military Specification V-29193.

- ▶ **L Dimension**
Specify the "L" Dimension for the proper length of the Push Button Assembly and Flush Connection. The "L" Dimension is equal to the Wall Thickness (to the nearest whole inch) plus 2¾" (70 mm).

- ▶ **Variations**
 - **GJ** Ground Joint Stop and Tailpiece
 - **TP** Trap Primer Elbow
 - **U** 1¼" Flush Connection and Spud Coupling
 - **WB** For installation with Sloan Easy Access® Wall Box
 - **XYV** Less Vacuum Breaker
 - **YB** Sweat Solder Adapter

NOTE: Bak-Chek™ Angle Stop available with 1" Whitworth Thread (please specify).
Ground Joint Stop (GJ) recommended for salt water applications.
Vacuum Breaker usually not required when used with non-potable water (specify XYV Variation).

See Accessories Section of the Sloan catalog for details on these and other Flushometer variations.



This space for Architect/Engineer approval

The information contained in this document is subject to change without notice.

SLOAN®

Made in the U.S.A.

SLOAN VALVE COMPANY • 10500 SEYMOUR AVE. • FRANKLIN PARK, IL. 60131
Ph: 1-800-9-VALVE-9 or 1-847-671-4300 • Fax: 1-800-447-8329 or 1-847-671-4380
<http://www.sloanvalve.com>